



hyperscalers.com

Operating from USA UK AUS IND

S3D
SDWAN uCPE
LTE Wi-Fi

Solving Information
Technology's **Complexity**

Authorised
Hyperscalers
Partner



Technology Partners



What we do



Hyperscale x86

In use by macroserviceproviders



Tier 1 Original x86

Used or planned for use by Tier 1 OEM



IP-Appliance Design

Productize delivery of your Digital-IP



Lab as a Service

Test drive our appliances with LaaS



End User Devices

Gamingbooks, Chromebooks, and Notebooks

Who are our customers

“ Next-Gen Open OEM Solving Information Technology’s Complexity ”

Telco



OEM



SI



Cloud



Digital IP



MSP



uCPE Universal Customer Premises Equipment

Sub-Entry



Planning

Intel Atom C2316 (Rangeley) 2 Cores
TDP 7W (FANLESS Design)
DDR3 4GB SODIMM 1600Mhz

Networking

- 4x GbE RJ-45 Ports (1x Pair LAN-bypass)
- 2x Mini-PCIe Connector for LTE/WiFi/SSD
- 1x External SIM slots
- 2 x Antenna holes

Storage

- 32GB eMMC

Management

- 1x Console port

Low cost, low power, fanless design

Entry



MP: 12, 2019 Sample: 09, 2019

Intel Denverton 4 Cores
TDP 16W (FANLESS Design)
DDR4-2400 ECC/Non-ECC SODIM 16GB Max

Acceleration

Integrated QAT up to 20G Crypto/ Compression

Networking

- 4x GbE RJ-45 Ports (1x Pair LAN-bypass) +
- 2x GbE RJ-45/SFP Combo ports (Intel i210)
- 1x Mini-PCIe Connector for LTE/WiFi/SSD
- 1x M.2 for LTE/WiFi/SSD
- 2x External SIM slots
- 4 x Antenna holes

Storage

- 1x SATA3 Storage Space

Management

- 1x Console port

Low power, fanless design

Mid-Range



Planning

4/8/16C Skylake-D Xeon SoC
TDP 80W~110W
DDR4 4x 2133/2666 DIMMs 128GB

Acceleration

Integrated QAT up to 80G Crypto/ Compression

Networking

- On board 8 GbE copper ports with 4 pairs bypass + 2 x 10 GbE SFP+ ports
- 2 front access LAN modules
- 4x Mini-PCIe/M.2 for LTE/WiFi/SSD
- 4x External SIM slots
- 4 x Antenna holes

Storage

- 2x SATA3 2.5" HDD/SSD

Management

- 1x GbE MGMT port/1x Console port
- 1x IPMI 2.0(BMC) Socket(Optional)

Power

- Single or Redundant power supplies

Performance



Planning

Dual Intel Xeon Scalable Processors
TDP 85W-165W
DDR4 512GB Max Capacity

Acceleration

C620 PCH with Intel® integrated QAT
Supporting 100 Gb/s Crypto and compression

Storage

- 2x SATA3 2.5" HDD/SSD

Expansion

- 4 NIC Module Slots (Up to 64 GbE Ports)
- 1x M.2 Socket

Management

- 1x GbE MGMT port/1x Console port
- 1x IPMI 2.0(BMC) Socket(Optional)

Power

- AC/DC Redundant power supplies



SD-WAN uCPE LTE / 5G Wi-Fi

Intel 4 Core Denverton SOC

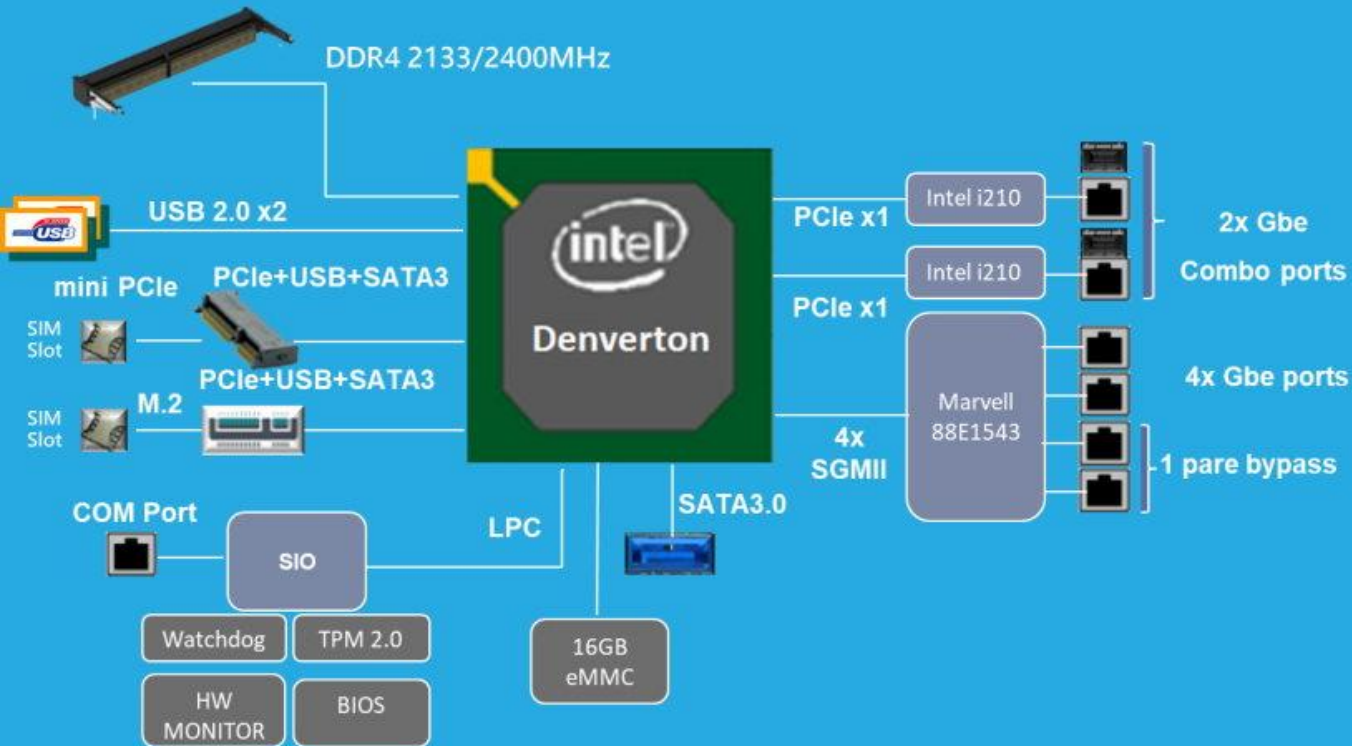
Optional Intel QAT support up to 20 Gb/s Crypto and Compression

Compact uCPE Design

- Low power, fanless design
- 4 GbE RJ-45 ports with 1 pair LAN bypass and 2 GbE RJ-45/SFP combo ports
- Mini-PCle or M.2 Connectors supporting LTE/WiFi/SSD Module
- 4 Antennas
- Dual SIM slots for LTE



S3D Specifications



CPU

- Intel Denverton-NS 4 Core
- TDP 17W (FANLESS Design)

Memory

- DR4 2400MHz ECC/non-ECC SODIMM
- 32GB Max

Storage

- 16GB eMMC
- 2.5" SATA SSD

Networking

- 2x Gbe Combo ports (WAN)
- 4x GbE RJ45 Ports (LAN) with one pair bypass
- 1x Mini-PCIe for LTE/WiFi /SATA with SIM slot
- 1x M.2 for LTE/Wifi/SATA with SIM slot
- 4 x Antennas

Integrated IO

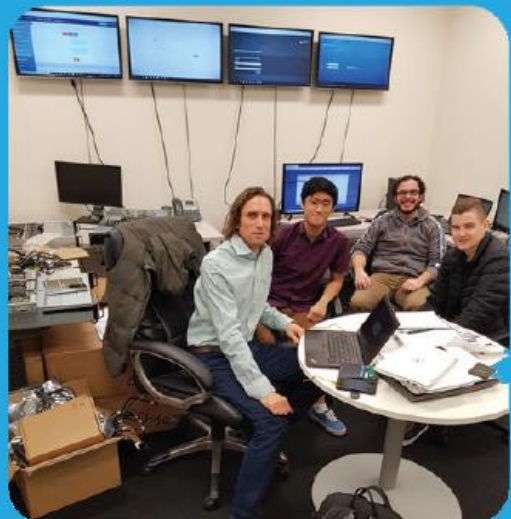
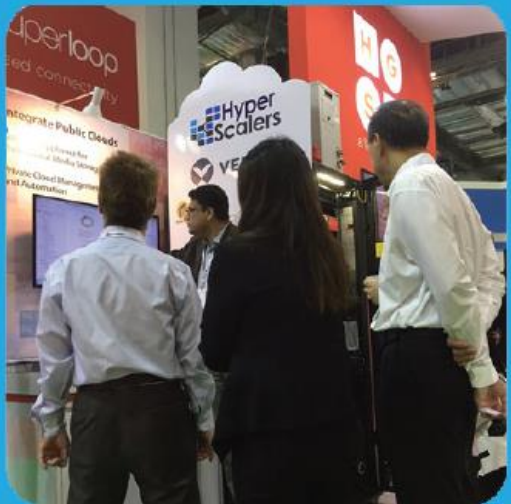
- 2x USB2.0 ports
- 1x TPM2.0 header
- 1x RJ45 Console port

Processor	LAN Controller
C3558 Denverton 4 cores	Intel i210
	Intel i350
C3758 Denverton 8 cores	Intel i210
	Intel i350
C3850 Denverton 12 cores	Intel i210
	Intel i350



“ Become the solution
your customers need ”

Join our partner program TODAY



 US Stock

 Full US
Warranty

 100% Channel
Distributor

 Metro Delivery
1-4 Days

P +61 1300 113 112
E info@hyperscalers.com
www.hyperscalers.com